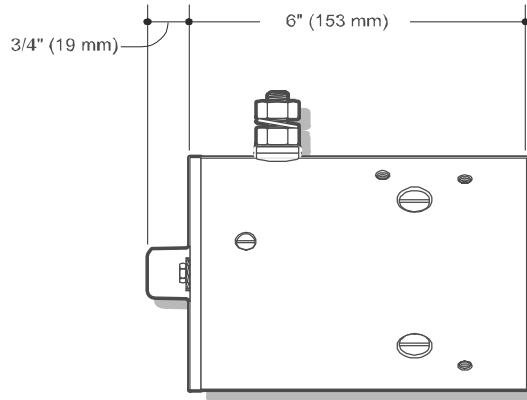
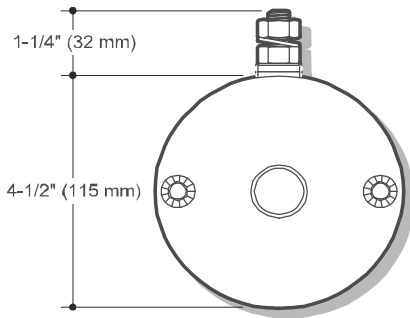


5.3 08111 D.C. Motor Information

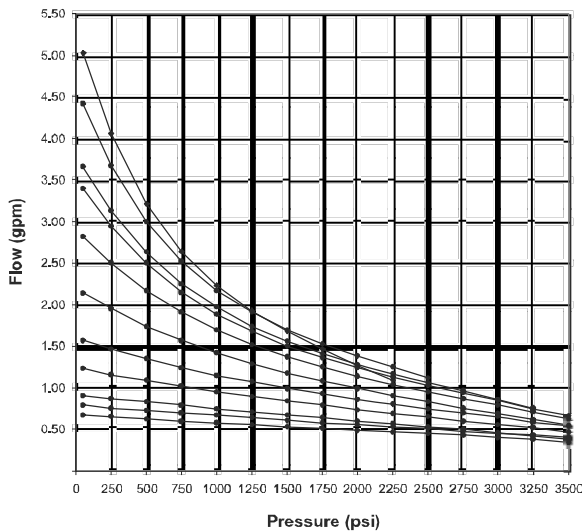


12 Volt D.C. Performance graphs

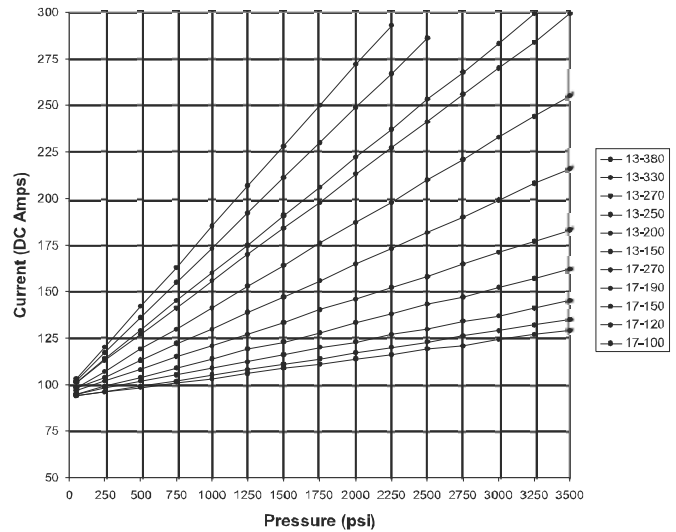
Voltage = $12.3 - \sqrt{\frac{AMP - 70}{43}}$ Test Fluid = Mobil D.T.E. 24
@ 100°F (SUS 160)
34°C (CST 34)

Performance graphs for 08111 Motor

Flow versus Pressure for 8111 & 8058 Motors



Current vs. Pressure for 8111 & 8058 Motors



Part Number	Voltage	Insulation Class	Number of Terminal	UL Listed	Description * see Key
08111	12	B	1	NO	SW/ID

* Key to Abbreviations:

PM = Permanent Magnet
ID = Intermittent Duty

SW = Series Wound
CW = Compound Wound

ED = Extended Duty

HD = Heavy Duty

A Thermal Protection Switch is available as an option on most motors and must be used with solenoid motor start switch. For motor thermal performance data, refer to the thermal chart on page 62