

3.12 Model M-3519 Dyna-Jack®

Description

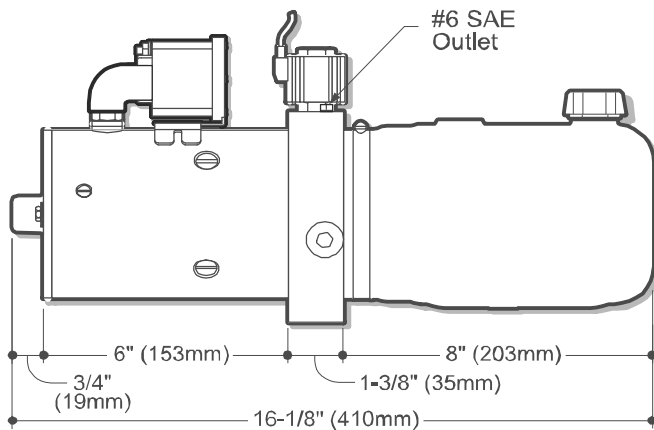
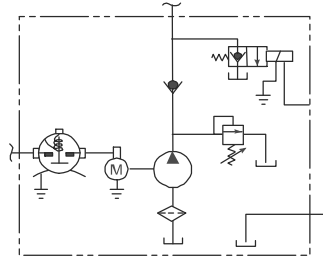
- Pump / Motor / Reservoir / Valve
- Check Valve
- Externally Adjustable Relief Valve
- 2-Way/2-Position Normally Closed Solenoid Cartridge Valve
- #6 SAE Outlet
- Horizontal Mounting Standard

Popular Options

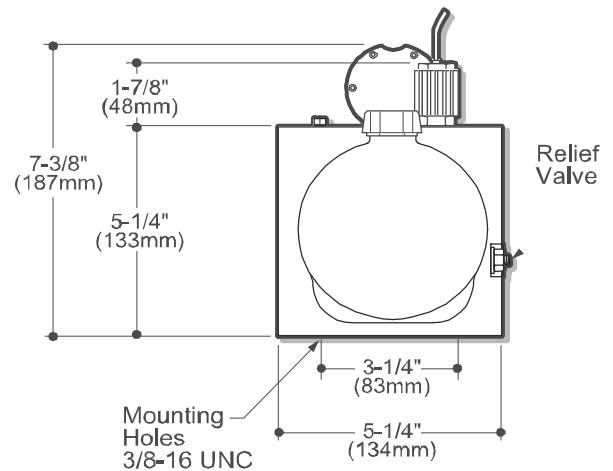
- Control Box and Cord
- Vertical Mounting / Motor Up
- Pressure Compensated (Cartridge Style) Orifice On Lowering Circuit*
- Manual Override*
- Hand Pump Manifold Mounts Directly to Base*

* Option Requires Power Unit Dimensions and Features Different Than Those Shown Below

Schematic



SIDE VIEW



END VIEW

How to Order Your M-3519 Dyna-Jack®

Comprehensive information may be found on the page referenced below each selection category.

Shown as standard with:

Pump	Motor	Voltage	Reservoir (Length)	Motor Start Switch	Mounting Position	Accessories	Control Boxes
	08111	12	06102	17757	Horizontal		
Ref. Page 51	Ref. Page 62		Ref. Page 86-96	Ref. Page 99		Ref. Page 102	Ref. Page 100