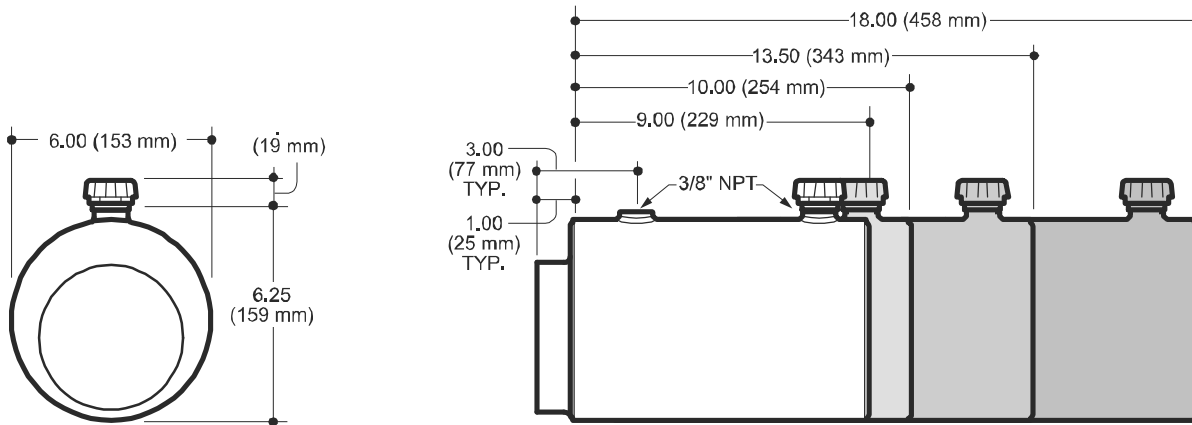


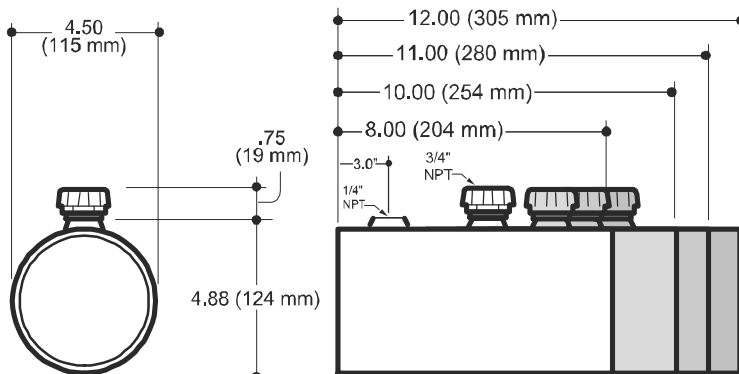
6 M Series Reservoirs

6.1 M-Series Reservoirs Steel

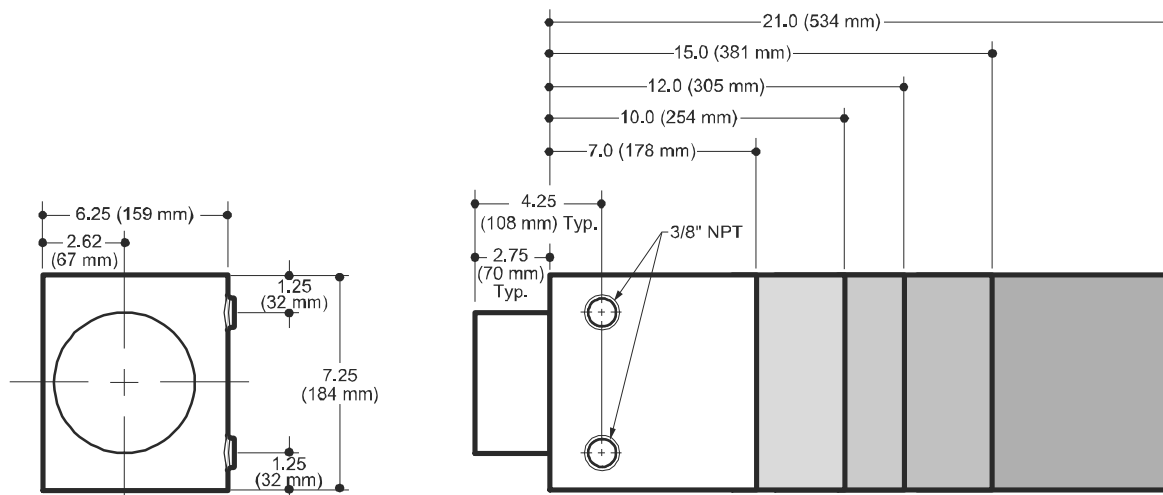
Part Number	Length in / (mm)	Useable Capacity			
		Horizontal		Vertical	
		Cubic inch (in ³)	Liter (L)	Cubic inch (in ³)	Liter (L)
06042	9.00 (229 mm)	190	3.10	168	2.75
06043	10.00 (254 mm)	217	3.56	194	3.20
06044	13.50 (343 mm)	292	4.80	285	4.70
06045	18.00 (458 mm)	394	6.45	405	6.65



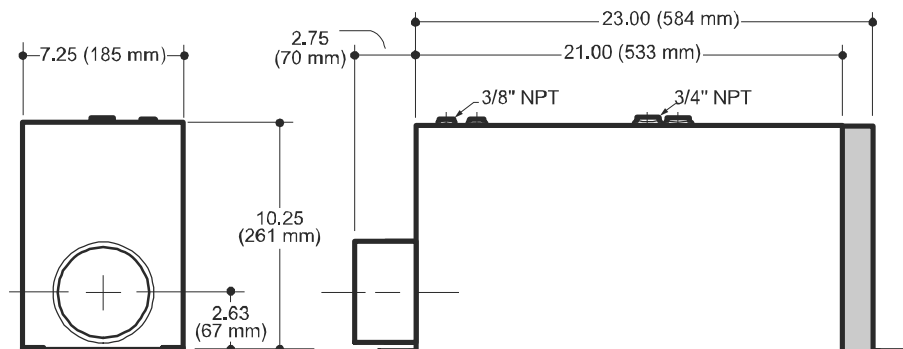
Part Number	Length in / (mm)	Useable Capacity	
		Cubic inch (in ³)	Liter (L)
06661	8.00 (204 mm)	60	1.00
06663	10.00 (254 mm)	85	1.40
06664	11.00 (280 mm)	98	1.60
06665	12.00 (305 mm)	111	1.80



Part Number	Length in / (mm)	Useable Capacity	
		Cubic inch (in ³)	Liter (L)
06861	7.00 (178 mm)	236	3.86
06862	10.00 (254 mm)	348	5.70
06328	12.00 (305 mm)	406	6.65
06864	15.00 (381 mm)	510	8.36
06888	21.00 (534 mm)	715	11.72

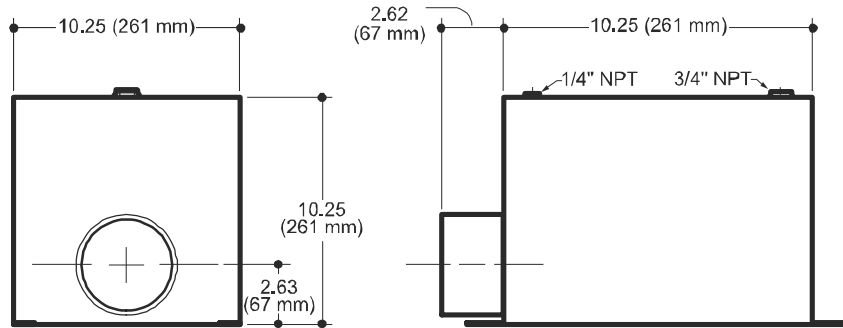


Part Number	Length in / (mm)	Useable Capacity	
		Cubic inch (in ³)	Liter (L)
06982	21.00 (533 mm)	1193	19.55
06397	23.00 (584 mm)	1302	21.33



Useable Capacity		
Part Number	Cubic inch (in ³)	Liter (L)
14249	1155	18.92

This reservoir is not suitable for modular power units.

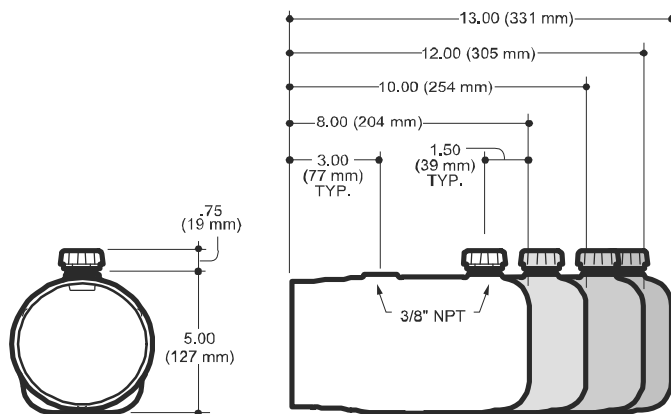


6.2 M-Series Reservoirs Poly

Part Number	Horizontal		Length in / (mm)
	Useable Capacity		
	Cubic inch (in ³)	Liter (L)	
06102	54.92	0.90	8.00 (203.20)
06103	75.67	1.24	10.00 (254.00)
06104	96.41	1.58	12.00 (304.80)
06105	106.79	1.75	13.00 (330.20)

Part Number	Vertical		Length in / (mm)
	Useable Capacity		
	Cubic inch (in ³)	Liter (L)	
04616	36.61	0.60	8.00 (203.20)
04617	65.91	1.08	10.00 (254.00)
04618	95.20	1.56	12.00 (304.80)
04619	109.84	1.80	13.00 (330.20)

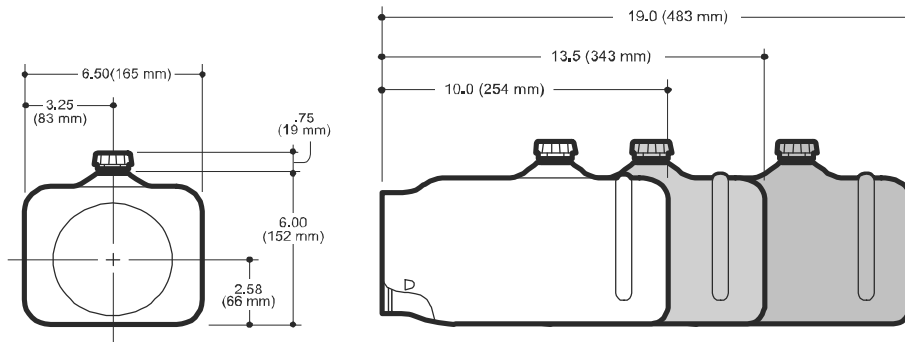
Useable Capacity may be increased 7.5% with the addition of a suction shroud assembly 13082. When using an I pump, up to 3% reduction in useable volume should be expected.



6.3 M-Series Reservoirs Poly 5.5"x6.5" Top

Part Number	Horizontal		Length in / (mm)
	Useable Capacity		
	Cubic inch (in ³)	Liter (L)	
14157	143.40	2.35	10.00 (254.00)
14158	220.00	3.61	13.50 (342.90)
14159	347.23	5.69	19.00 (482.60)
04845	143.40	2.35	10.00 (254.00)
04846	220.00	3.61	13.50 (342.90)
04687	326.48	5.35	19.00 (482.60)

Useable Capacity may be increased 8% with the addition of a suction shroud assembly 13082. When using an I pump, up to 3% reduction in useable volume should be expected.

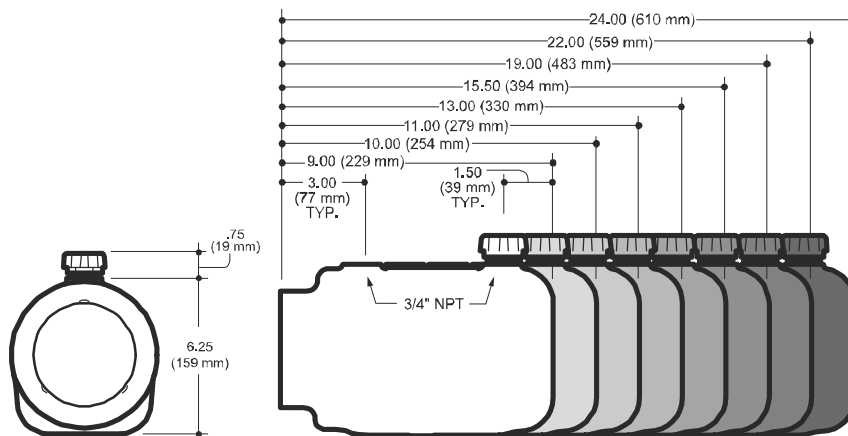


These reservoirs are not suitable for some modular power units. Consult factory for optional reservoirs for your application.

6.4 M-Series Reservoirs Poly 6" Centered

Part Number	Horizontal		Length in / (mm)
	Useable Capacity		
	Cubic inch (in ³)	Liter (L)	
14128	118.37	1.94	9.00 (228.60)
14121	136.19	2.23	10.00 (254.00)
14122	154.01	2.52	11.00 (279.40)
14123	189.65	3.11	13.00 (330.20)
14124	234.20	3.84	15.50 (393.70)
14125	296.57	4.86	19.00 (482.60)
14126	350.03	5.74	22.00 (558.80)
14127	385.68	6.32	24.00 (609.60)

Part Number	Vertical		Length in / (mm)
	Useable Capacity		
	Cubic inch (in ³)	Liter (L)	
14004	197.04	3.23	13.00 (330.20)
14005	268.68	4.40	15.50 (393.70)



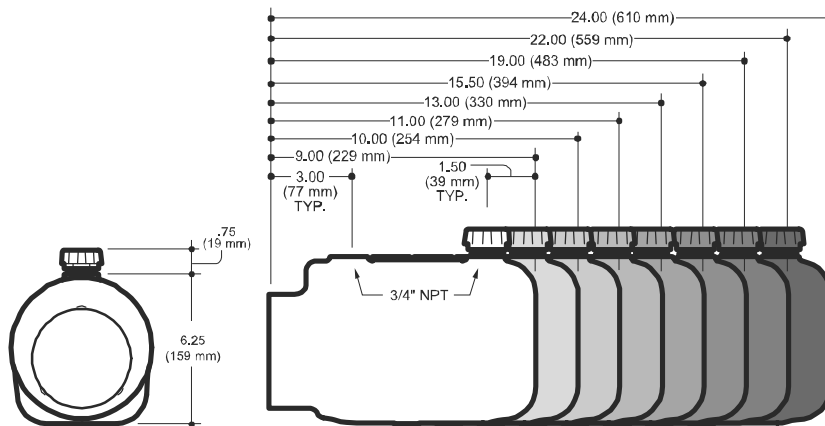
Useable Capacity may be increased 6% with the addition of a suction shroud assembly 13082 When using an I pump, up to 3% reduction in useable volume should be expected.

These reservoirs are not suitable for some modular power units. Consult factory for optional reservoirs for your application.

6.5 M-Series Reservoirs Poly 6" Offset

Part Number	Horizontal		Length in / (mm)
	Useable Capacity		
	Cubic inch (in ³)	Liter (L)	
14009	123.57	2.03	9.00 (228.60)
14010	143.40	2.35	10.00 (254.00)
14011	163.23	2.68	11.00 (279.40)
14012	202.89	3.33	13.00 (330.20)
14013	252.47	4.14	15.50 (393.70)
14014	321.87	5.28	19.00 (482.60)
14015	381.36	6.25	22.00 (558.80)
14016	421.02	6.90	24.00 (609.60)

Part Number	Vertical		Length in / (mm)
	Useable Capacity		
	Cubic inch (in ³)	Liter (L)	
14004	88.49	1.45	9.00 (228.60)
14005	112.90	1.85	10.00 (254.00)
14005	137.31	2.25	11.00 (279.40)
14005	186.13	3.05	13.00 (330.20)
14005	247.15	4.05	15.50 (393.70)
14005	332.59	5.45	19.00 (482.60)
14005	405.82	6.65	22.00 (558.80)
14005	454.64	7.45	24.00 (609.60)



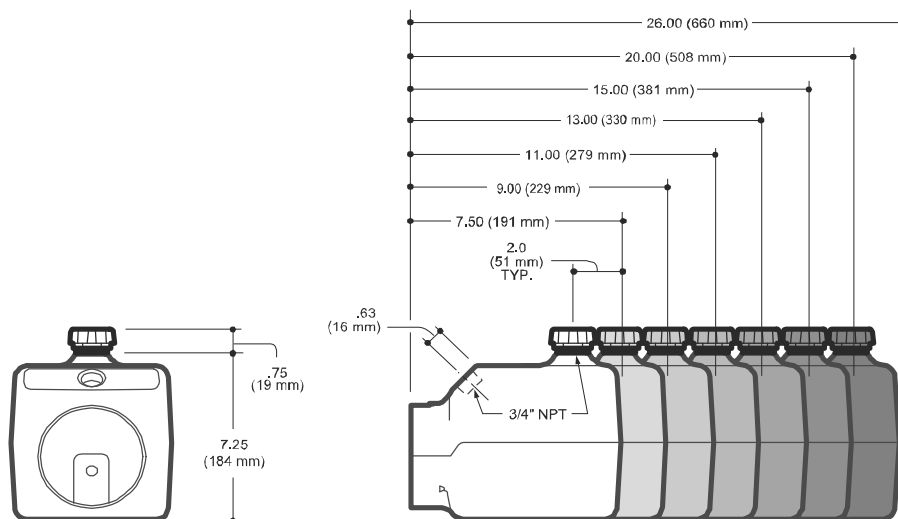
Useable Capacity may be increased 6% with the addition of a suction shroud assembly 13082. When using an I pump, up to 3% reduction in useable volume should be expected.

These reservoirs are not suitable for some modular power units. Consult factory for optional reservoirs for your application.

6.6 M-Series Reservoirs Poly 6.75"x6.75"

Part Number	Horizontal		Length in / (mm)
	Useable Capacity		
	Cubic inch (in ³)	Liter (L)	
14164	157.14	2.58	7.50 (190.50)
14165	203.21	3.33	9.00 (228.60)
14166	264.64	4.34	11.00 (279.40)
14167	326.07	5.34	13.00 (330.20)
14168	387.50	6.35	15.00 (381.00)
14169	541.08	8.87	20.00 (508.00)
14170	725.37	11.89	26.00 (660.40)

Part Number	Vertical		Length in / (mm)
	Useable Capacity		
	Cubic inch (in ³)	Liter (L)	
14183	85.43	1.40	7.50 (190.50)
14184	149.51	2.45	9.00 (228.60)
14185	234.94	3.85	11.00 (279.40)
14186	320.37	5.25	13.00 (330.20)
14187	404.81	6.63	15.00 (381.00)
14188	619.39	10.15	20.00 (508.00)
14189	875.69	14.35	26.00 (660.40)



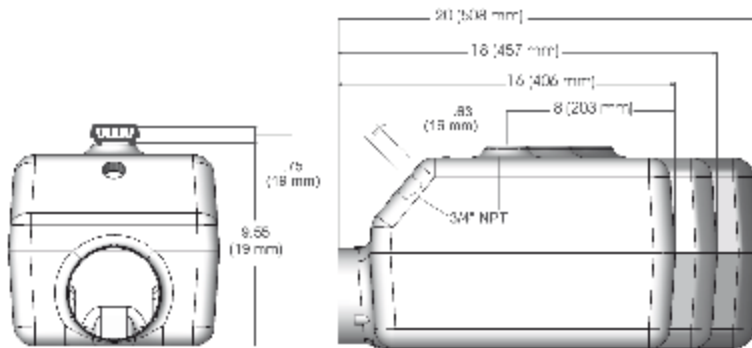
Useable Capacity may be increased 5% with the addition of a suction shroud assembly 13082. When using an I pump, up to 3% reduction in useable volume should be expected.

These reservoirs are not suitable for some modular power units. Consult factory for optional reservoirs for your application.

6.7 M-Series Reservoirs Poly 9"x10"

Horizontal			Length in / (mm)
Part Number	Useable Capacity		
	Cubic inch (in ³)	Liter (L)	
14223	909.27	14.90	16.00 (406.40)
14224	1070.00	17.54	18.00 (457.20)
14225	1232.09	20.19	20.00 (508.00)

Vertical			Length in / (mm)
Part Number	Useable Capacity		
	Cubic inch (in ³)	Liter (L)	
14226	793.33	13.00	16.00 (406.40)
14227	979.46	16.05	18.00 (457.20)
14228	1165.58	19.10	20.00 (508.00)

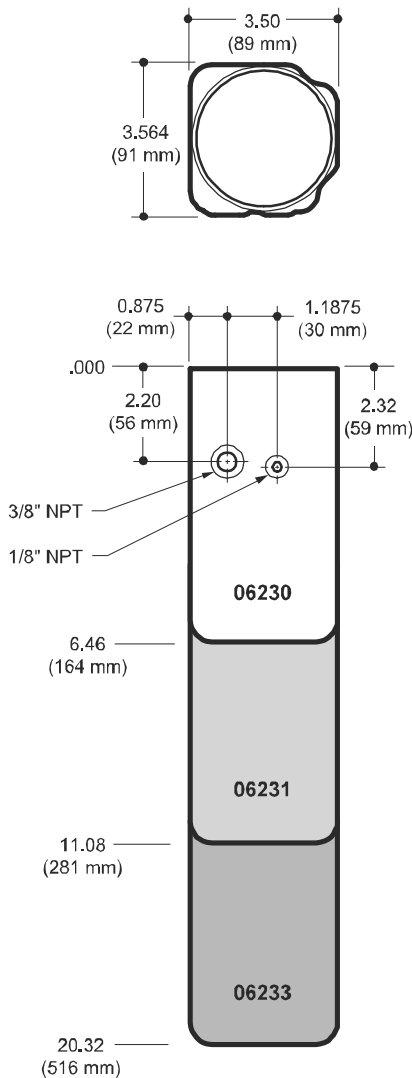


Useable Capacity may be increased 5% with the addition of a suction shroud assembly 13082 When using an I pump, up to 3% reduction in useable volume should be expected.

These reservoirs are not suitable for some modular power units. Consult factory for optional reservoirs for your application.

6.8 Reservoirs for Mini Units Poly 3.5"x3.5" MINI

Part Number	Horizontal		Vertical		Length in / (mm)
	Useable Capacity				
	Cubic inch (in ³)	Liter (L)	Cubic inch (in ³)	Liter (L)	
06230	30.51	0.50	24.50	0.40	6.46 (164.08)
06231	62.04	1.02	69.22	1.13	11.08 (281.43)
06233*	125.10	2.05	158.67	2.60	20.32 (516.13)



* Reservoir should not be used in a horizontal application without first consulting engineering (Special supports may be required).