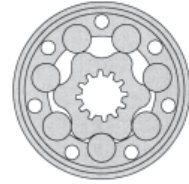


MODEL BMRS



NOW with Radial Bearings for side load applications

The BMRS series advanced **ROLORTORC™** gear set, shaft distribution flow, hydraulic motor is a compact, low noise, high efficient high torque low speed design. The **ROLORTORC™** gear set also affords a reliable smooth start up at low pressure.

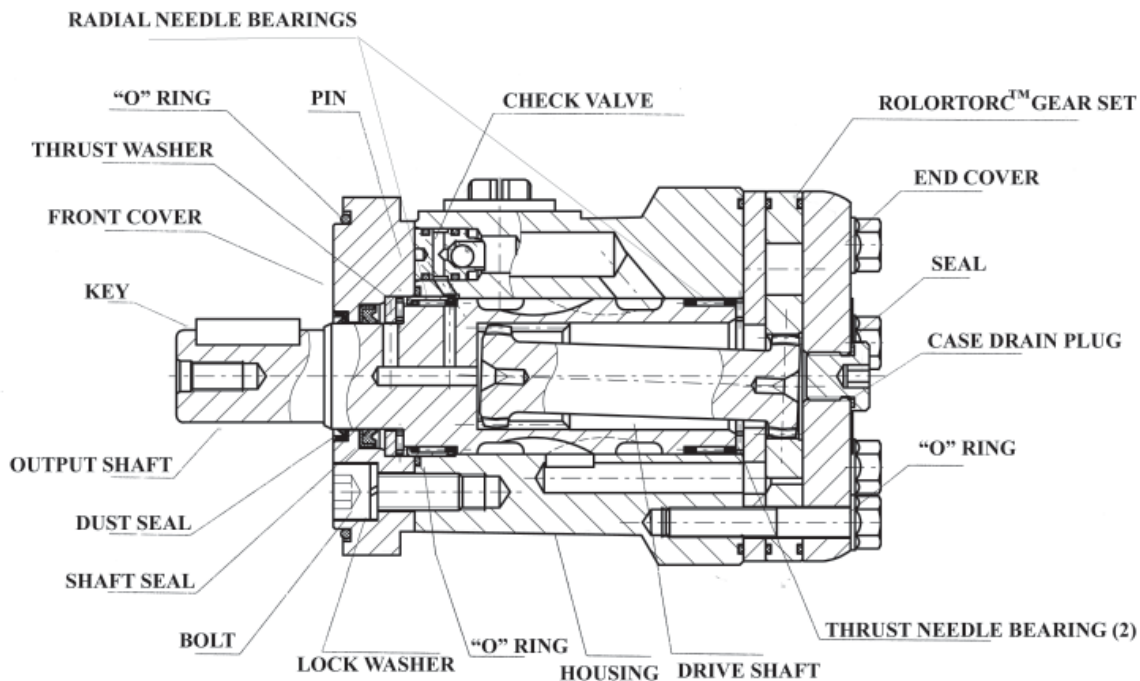
The low weight advanced construction design is manufactured in accordance with the requirements of ISO 9000-2000 quality system.

Technical Specifications - BMRS

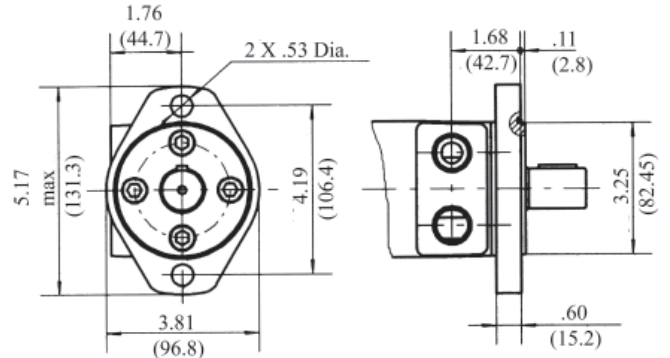
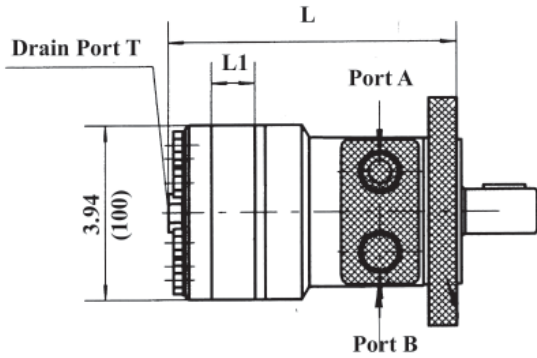
MODEL		BMRS50	BMRS80	BMRS100	BMRS125	BMRS160	BMRS200	BMRS250	BMRS315	BMRS375
Displacement Cm ³ /Rev (In ³ /Rev)		51.3 (3.05)	80.6 (4.92)	101 (6.15)	125 (7.63)	157 (9.6)	199 (12.16)	252 (15.38)	315 (19.2)	370 (22.6)
	Maximum Speed RPM	Cont 755	750	600	475	375	300	240	190	160
Max Torque NM / (in.lbs)	Cont	100 (885)	190 (1682)	240 (2124)	292 (2584)	363 (3273)	358 (3168)	352 (3115)	360 (3186)	420 (3717)
	Int.	126 (1115)	220 (1947)	280 (2478)	340 (3010)	430 (3806)	448 (3965)	470 (4159)	480 (4247)	548 (4850)
Max Differential Mpa / (PSI)	Cont	14 (2061)	17.5 (2576)	17.5 (2576)	17.5 (2576)	16.5 (2429)	13 (1914)	11 (1625)	8.5 (1251)	8.5 (1251)
	Int.	17.5 (2576)	20 (2944)	20 (2944)	20 (2944)	20 (2944)	17.5 (2576)	14 (2061)	11.5 (1693)	11.5 (1693)
Max Flow L/min / (gpm)	Cont	40 (10.5)	60 (15.8)	60 (15.8)	60 (15.8)	60 (15.8)	60 (15.8)	60 (15.8)	60 (15.8)	60 (15.8)
	Int.	50 (13.15)	75 (19.75)	75 (19.75)	75 (19.75)	75 (19.75)	75 (19.75)	75 (19.75)	75 (19.75)	75 (19.75)
Weight Kg / (lbs)		6.7 (14.8)	6.9 (15.2)	6.9 (15.2)	7.2 (15.8)	7.5 (16.5)	8.0 (17.6)	8.5 (18.7)	9.0 (19.8)	9.3 (20.5)

Continuous = maximum of continuous operation

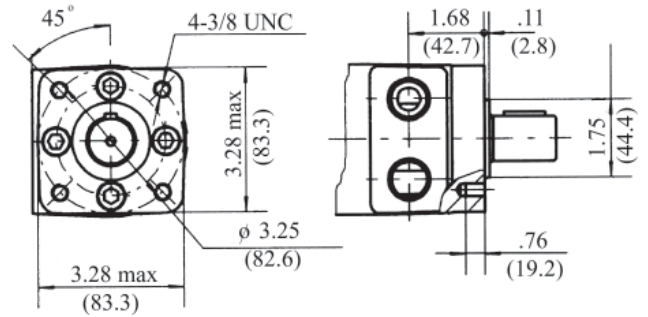
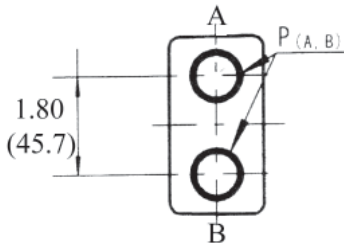
Intermittent = maximum operating range for 6 seconds per minute



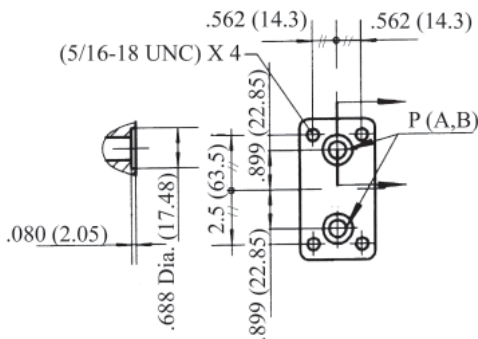
BMRS INSTALLATION DATA



H2 - SAE "A" 2 BOLT

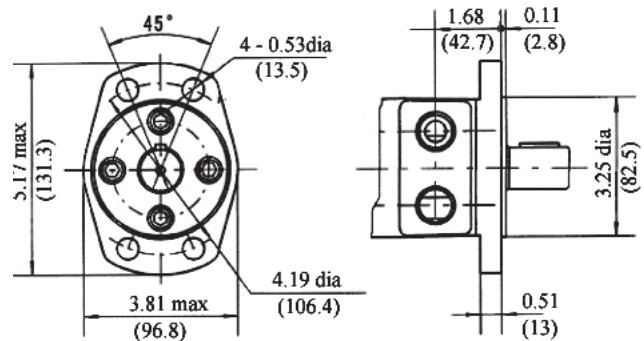


H4 - SAE "A" 4 BOLT



Manifold Mount

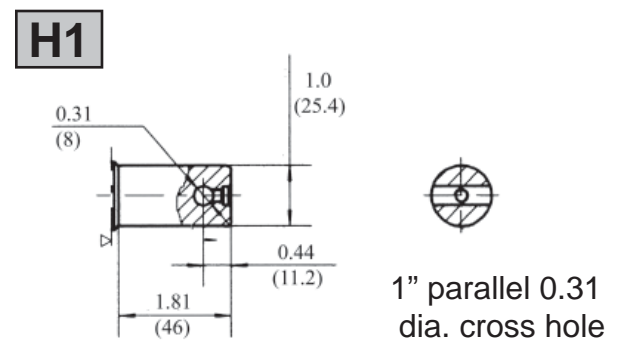
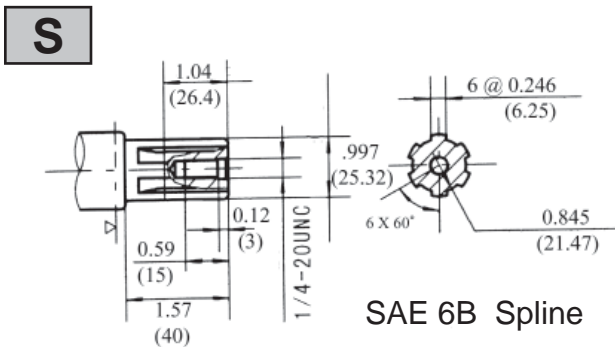
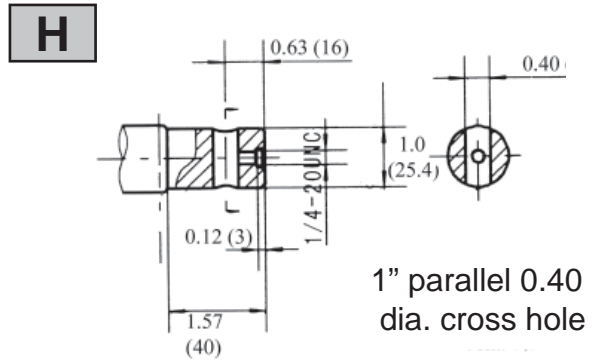
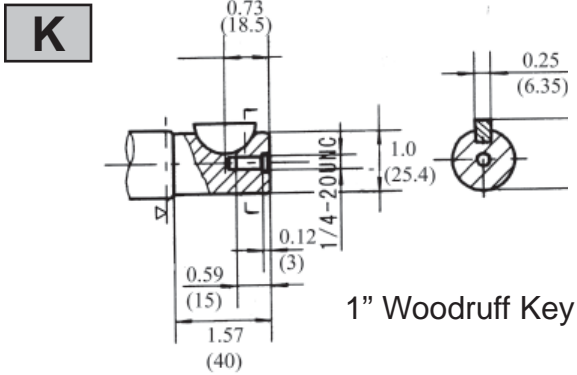
MODEL BMRS	L		L1	
	inches	mm	inches	mm
BMRS 50	5.67	144	.39	10
BMRS 80	5.90	150	.63	16
BMRS 100	6.06	154	.79	20
BMRS 125	6.26	159	.98	25
BMRS 160	6.51	165.5	1.24	31.5
BMRS 200	6.85	174	1.57	40
BMRS 250	7.24	184	1.97	50
BMRS 315	7.72	196	2.44	62
BMRS 375	8.19	208	2.91	74



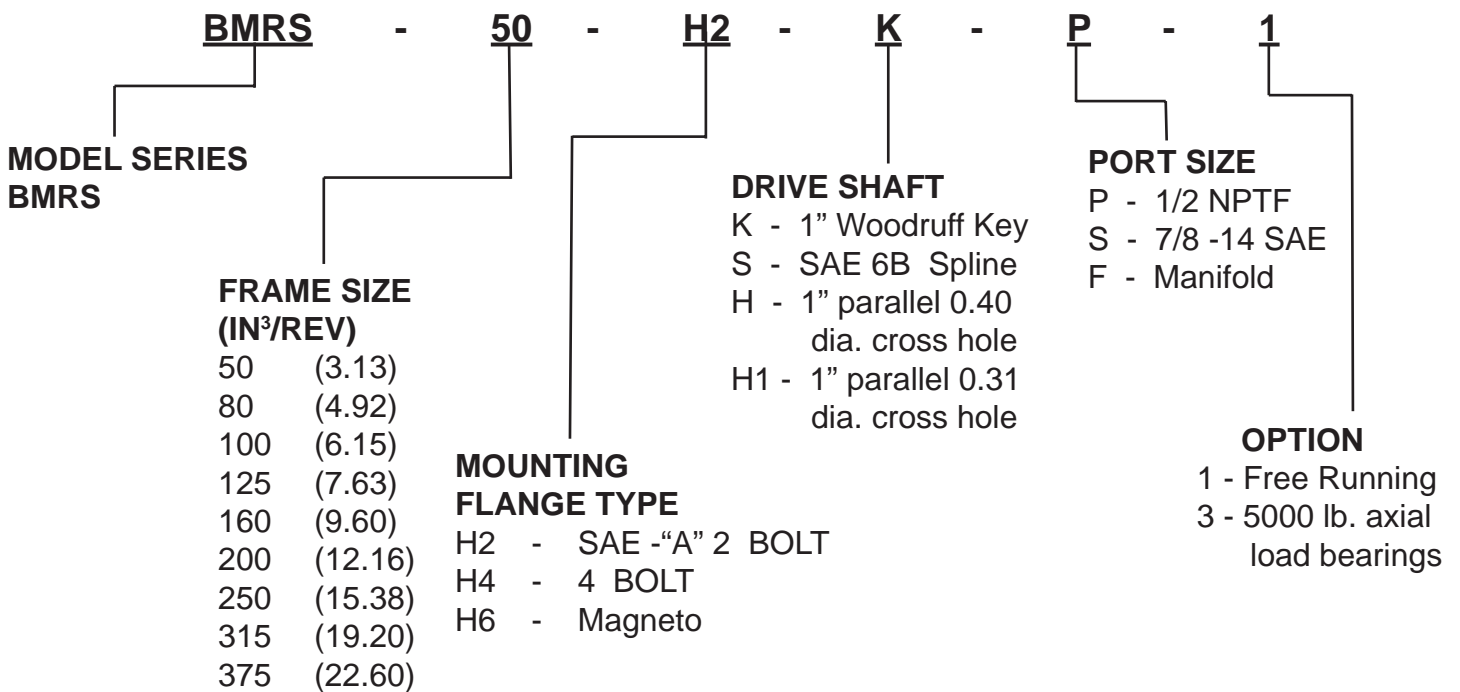
H6 - Magneto

PORT SIZES	S	P
P (A,B)	7/8-14 SAE	1/2-14 NPTF
T	7/16-20 SAE	7/16-20 SAE

MODEL BMRS DRIVE SHAFT DATA



BMRS MODEL NUMBER DATA



Additional flange and drive shaft options available please consult factory

BMRS 50		51.3 Cm³/Rev 3.13 in³/Rev					Max Cont.	Max Int.	
Pressure Mpa (psi)		5 (376)	7 (1030)	9 (1352)	10 (1470)	12 (1766)	14 (2060)	16 (2355)	17.5 (2576)
F L O W	LPM (GPM)	Torque Mn (in.Lbs) Speed Specification							
	5 (1.32)	35 (310)	45 (398)	61 (540)	67 (593)	77 (681)	88 (779)		
		95 rpm	84 rpm	76 rpm	73 rpm	69 rpm	46 rpm		
	10 (2.65)	36 (316)	46 (407)	62 (549)	69 (611)	80 (708)	95 (841)	108 (956)	120 (1062)
		184 rpm	176 rpm	165 rpm	162 rpm	150 rpm	130 rpm	111 rpm	84 rpm
	15 (3.95)	35 (310)	49 (434)	63 (558)	73 (646)	88 (779)	100 (885)	109 (965)	123 (1089)
		283 rpm	277 rpm	269 rpm	261 rpm	250 rpm	230 rpm	211 rpm	185 rpm
	20 (5.26)	34 (301)	47 (416)	61 (540)	69 (611)	83 (735)	96 (850)	109 (965)	126 (1115)
		377 rpm	375 rpm	365 rpm	361 rpm	346 rpm	330 rpm	308 rpm	276 rpm
	25 (6.60)	34 (301)	45 (398)	61 (540)	69 (611)	81 (717)	96 (850)	109 (965)	126 (1115)
		476 rpm	468 rpm	460 rpm	453 rpm	438 rpm	423 rpm	395 rpm	361 rpm
	30 (7.90)	33 (292)	44 (389)	60 (531)	67 (593)	80 (708)	95 (841)	108 (956)	126 (1115)
	576 rpm	569 rpm	561 rpm	554 rpm	542 rpm	531 rpm	500 rpm	465 rpm	
	35 (9.20)	31 (274)	42 (372)	59 (522)	66 (584)	80 (708)	93 (823)	107 (947)	124 (1097)
		669 rpm	665 rpm	657 rpm	654 rpm	638 rpm	623 rpm	598 rpm	561 rpm
Max Cont.	40 (10.50)	30 (266)	41 (363)	58 (513)	66 (584)	79 (699)	92 (814)	106 (938)	122 (1080)
		760 rpm	758 rpm	753 rpm	750 rpm	738 rpm	727 rpm	700 rpm	670 rpm
Max Int.	45 (11.85)	29.5 (281)	40 (354)	57 (504)	65 (575)	78 (690)	90 (797)	105 (929)	121 (1071)
		856 rpm	856 rpm	850 rpm	845 rpm	835 rpm	815 rpm	799 rpm	780 rpm

BMRS 80		80.6 Cm³/Rev 4.9 in³/Rev					Max Cont.	Max Int.	
Pressure Mpa (psi)		5 (376)	7 (1030)	9 (1352)	10 (1470)	12 (1766)	14 (2060)	16 (2355)	17.5 (2576)
F L O W	LPM (GPM)	Torque Mn (in.Lbs) Speed Specification							
	10 (2.65)	55 (487)	77 (681)	98 (867)	107 (947)	130 (1151)	149 (1319)	170 (1505)	180 (1593)
		115 rpm	109 rpm	106 rpm	101 rpm	91 rpm	75 rpm	53 rpm	45 rpm
	20 (5.25)	50 (443)	81.6 (722)	105 (938)	118 (1044)	132 (1168)	160 (1416)	178 (1575)	189 (1673)
		239 rpm	235 rpm	227 rpm	224 rpm	209 rpm	196 rpm	172 rpm	160 rpm
	30 (7.90)	48 (425)	74 (655)	97 (858)	114 (1009)	131 (1159)	150 (1328)	179 (1584)	190 (1682)
		364 rpm	360 rpm	357 rpm	345 rpm	332 rpm	321 rpm	300 rpm	284 rpm
	40 (10.50)	45 (398)	71 (628)	95 (841)	105 (929)	128 (1133)	149 (1319)	177 (1566)	188 (1664)
		488 rpm	483 rpm	475 rpm	472 rpm	460 rpm	447 rpm	420 rpm	408 rpm
	50 (13.15)	42 (372)	70 (620)	90 (797)	98 (867)	125 (1106)	147 (1301)	171 (1513)	187 (1655)
		619 rpm	615 rpm	607 rpm	598 rpm	593 rpm	568 rpm	547 rpm	535 rpm
		60 (15.80)	38 (336)	63 (558)	85 (752)	95 (841)	118 (1044)	142 (1257)	169 (1496)
		740 rpm	725 rpm	721 rpm	715 rpm	707 rpm	688 rpm	667 rpm	657 rpm
Max Cont.	70 (18.40)	36 (319)	58 (513)	80 (708)	89 (788)	112 (991)	139 (1230)	164 (1451)	179 (1584)
		860 rpm	853 rpm	839 rpm	837 rpm	823 rpm	811 rpm	790 rpm	776 rpm
Max Int.	75 (19.75)	29 (257)	56 (496)	77 (681)	85 (752)	110 (974)	133 (1177)	161 (1425)	177 (1566)
		925 rpm	915 rpm	910 rpm	899 rpm	888 rpm	871 rpm	853 rpm	837 rpm

BMRS 100		100.8 Cm³/Rev 6.15 in³/Rev					Max Cont.	Max Int.	
Pressure Mpa (psi)		5 (376)	7 (1030)	9 (1352)	10 (1470)	12 (1766)	14 (2060)	16 (2355)	17.5 (2576)
F L O W	LPM (GPM)	Torque Mn (in.Lbs) Speed Specification							
	10 (2.65)	70 (620)	100 (885)	122 (1080)	138 (1221)	159 (1407)	182 (1611)	210 (1859)	222 (1965)
		99 rpm	95 rpm	87 rpm	84 rpm	74 rpm	63 rpm	52 rpm	44 rpm
	20 (5.25)	68 (602)	95 (841)	123 (1089)	143 (1266)	165 (1460)	200 (1770)	221 (1956)	238 (2106)
		199 rpm	194 rpm	188 rpm	182 rpm	175 rpm	162 rpm	150 rpm	138 rpm
	30 (7.90)	62 (547)	94 (832)	121 (1071)	140 (1239)	164 (1451)	194 (1717)	220 (1947)	240 (2124)
		299 rpm	294 rpm	288 rpm	284 rpm	278 rpm	263 rpm	249 rpm	236 rpm
	40 (10.50)	59 (522)	88 (779)	119 (1053)	134 (1186)	161 (1425)	192 (1699)	218 (1929)	238 (2106)
		400 rpm	398 rpm	387 rpm	385 rpm	380 rpm	366 rpm	350 rpm	336 rpm
	50 (13.15)	55 (487)	83 (735)	117 (1035)	125 (1106)	157 (1389)	185 (1637)	217 (1920)	235 (2080)
		498 rpm	496 rpm	488 rpm	484 rpm	475 rpm	464 rpm	450 rpm	436 rpm
		60 (15.80)	48 (425)	79 (699)	110 (974)	119 (1053)	152 (1345)	180 (1593)	214 (1894)
		599 rpm	595 rpm	587 rpm	585 rpm	579 rpm	569 rpm	552 rpm	538 rpm
Max Cont.	70 (18.40)	43 (381)	70 (620)	100 (885)	112 (991)	142 (1257)	170 (1505)	201 (1789)	229 (2027)
		699 rpm	693 rpm	687 rpm	683 rpm	679 rpm	668 rpm	648 rpm	636 rpm
Max Int.	75 (19.75)	39 (345)	63 (558)	97 (858)	105 (929)	140 (1239)	167 (1478)	197 (1743)	227 (2009)
		748 rpm	741 rpm	737 rpm	735 rpm	720 rpm	713 rpm	697 rpm	686 rpm

BMRS 125		124.9 Cm³/Rev 7.63 in³/Rev					Max Cont.	Max Int.	
Pressure Mpa (psi)		5 (376)	7 (1030)	9 (1352)	10 (1470)	12 (1766)	14 (2060)	16 (2355)	17.5 (2576)
F L O W	LPM (GPM)	Torque Mn (in.Lbs) Speed Specification							
	10 (2.65)	90 (797)	122 (1080)	160 (1416)	173 (1531)	205 (1814)	237 (2097)	258 (2283)	270 (2390)
		73 rpm	71 rpm	66 rpm	63 rpm	55 rpm	42 rpm	23 rpm	14 rpm
	20 (5.25)	85 (752)	118 (1044)	159 (1407)	172 (1522)	208 (1841)	250 (2213)	278 (2460)	292 (2584)
		154 rpm	152 rpm	150 rpm	145 rpm	138 rpm	123 rpm	109 rpm	91 rpm
	30 (7.90)	82 (726)	107 (947)	158 (1398)	164 (1451)	206 (1823)	241 (2133)	277 (2451)	291 (2575)
		237 rpm	236 rpm	233 rpm	226 rpm	219 rpm	207 rpm	192 rpm	170 rpm
	40 (10.50)	79 (699)	105 (929)	150 (1320)	161 (1425)	204 (1895)	238 (2106)	275 (2434)	289 (2558)
		315 rpm	313 rpm	309 rpm	307 rpm	302 rpm	297 rpm	272 rpm	254 rpm
		50 (13.15)	75 (664)	96 (850)	145 (1283)	160 (1416)	198 (1752)	236 (2089)	262 (2319)
		398 rpm	397 rpm	395 rpm	391 rpm	381 rpm	368 rpm	353 rpm	337 rpm
	60 (15.80)	62 (549)	95 (841)	139 (1230)	158 (1938)	183 (1389)	222 (1965)	254 (2248)	279 (2469)
		475 rpm	473 rpm	471 rpm	470 rpm	463 rpm	450 rpm	427 rpm	416 rpm
Max Cont.	70 (18.40)	59 (522)	83 (735)	125 (1106)	150 (1328)	178 (1575)	212 (1876)	250 (2213)	262 (2319)
		554 rpm	553 rpm	551 rpm	550 rpm	546 rpm	538 rpm	514 rpm	500 rpm
Max Int.	75 (19.75)	56 (496)	80 (708)	122 (1080)	145 (1283)	172 (1522)	205 (1814)	245 (2168)	261 (2310)
		598 rpm	597 rpm	593 rpm	590 rpm	586 rpm	577 rpm	551 rpm	537 rpm

BMRS 160		157.2 Cm³/Rev 9.60 in³/Rev					Max Cont.	Max Int.	
Pressure Mpa (psi)		5 (376)	7 (1030)	9 (1352)	10 (1470)	12 (1766)	14 (2060)	16 (2355)	17.5 (2576)
F L O W	LPM (GPM)	Torque Mn (in.Lbs) Speed Specification							
	10 (2.65)	115 (1018)	160 (14160)	203 (1797)	220 (1947)	260 (2301)	300 (2655)	340 (3009)	363 (3204)
		58 rpm	55 rpm	52 rpm	50 rpm	44 rpm	38 rpm	34 rpm	26 rpm
	20 (5.25)	114 (1009)	160 (1416)	205 (1814)	230 (2036)	265 (2345)	320 (2832)	355 (3142)	380 (3363)
		119 rpm	115 rpm	111 rpm	108 rpm	103 rpm	95 rpm	84 rpm	76 rpm
	30 (7.90)	105 (929)	158 (1398)	202 (1788)	221 (1956)	261 (2310)	305 (2699)	344 (3044)	378 (3345)
		184 rpm	181 rpm	177 rpm	172 rpm	165 rpm	153 rpm	134 rpm	130 rpm
	40 (10.50)	100 (885)	145 (1283)	196 (1735)	218 (1929)	257 (2274)	299 (2646)	340 (3009)	374 (3310)
		246 rpm	244 rpm	239 rpm	237 rpm	230 rpm	218 rpm	199 rpm	184 rpm
		50 (13.15)	90 (797)	140 (1239)	190 (1682)	209 (1850)	250 (2213)	295 (2611)	336 (2974)
		307 rpm	305 rpm	302 rpm	300 rpm	292 rpm	280 rpm	262 rpm	244 rpm
	60 (15.80)	84 (743)	136 (1204)	180 (1593)	199 (1761)	240 (2124)	286 (2531)	330 (2921)	360 (3186)
		370 rpm	368 rpm	364 rpm	362 rpm	355 rpm	342 rpm	334 rpm	304 rpm
Max Cont.	70 (18.40)	65 (575)	120 (1062)	164 (1451)	180 (1593)	223 (1974)	280 (2478)	320 (2832)	350 (3098)
		435 rpm	434 rpm	430 rpm	427 rpm	416 rpm	405 rpm	335 rpm	366 rpm
Max Int.	75 (19.75)	59 (522)	116 (1026)	158 (1398)	175 (1549)	220 (1947)	272 (2407)	314 (2779)	342 (3027)
		465 rpm	462 rpm	458 rpm	456 rpm	447 rpm	433 rpm	416 rpm	395 rpm

BMRS 200		199.2 Cm³/Rev 12.16 in³/Rev				Max Cont.	Max Int.	
Pressure Mpa (psi)		5 (376)	7 (1030)	9 (1352)	10.5 (1546)	12 (1766)	14 (2060)	17.5 (2576)
F L O W	LPM (GPM)	Torque Mn (in.Lbs) Speed Specification						
	10 (2.65)	148 (1310)	205 (1814)	255 (2257)	290 (2567)	327 (2894)	370 (3275)	442 (3912)
		49 rpm	47 rpm	45 rpm	43 rpm	40 rpm	30 rpm	24 rpm
	20 (5.25)	140 (1239)	202 (1788)	250 (2213)	323 (2859)	330 (2921)	411 (3637)	448 (3965)
		99 rpm	97 rpm	93 rpm	90 rpm	86 rpm	78 rpm	65 rpm
	30 (7.90)	130 (1151)	193 (1708)	241 (2133)	307 (2717)	325 (2876)	377 (3336)	445 (3938)
		149 rpm	146 rpm	140 rpm	136 rpm	131 rpm	122 rpm	105 rpm
	40 (10.50)	125 (1106)	186 (1646)	232 (2953)	305 (2699)	313 (2770)	390 (3452)	436 (3860)
		200 rpm	197 rpm	192 rpm	188 rpm	181 rpm	170 rpm	149 rpm
		50 (13.15)	120 (1062)	177 (1566)	225 (1991)	295 (2611)	305 (2699)	382 (3381)
		250 rpm	247 rpm	242 rpm	238 rpm	231 rpm	218 rpm	193 rpm
	60 (15.80)	110 (974)	166 (1469)	221 (1956)	285 (25220)	292 (2584)	372 (3292)	419 (3708)
		300 rpm	298 rpm	291 rpm	287 rpm	282 rpm	268 rpm	236 rpm
Max Cont.	70 (18.40)	98 (867)	150 (1328)	205 (1814)	244 (2159)	278 (2461)	331 (2929)	410 (3629)
		350 rpm	347 rpm	342 rpm	338 rpm	331 rpm	318 rpm	282 rpm
Max Int.	75 (19.75)	85 (752)	141 (1248)	199 (1761)	235 (2080)	268 (2372)	323 (2859)	400 (3540)
		375 rpm	372 rpm	366 rpm	362 rpm	357 rpm	343 rpm	310 rpm

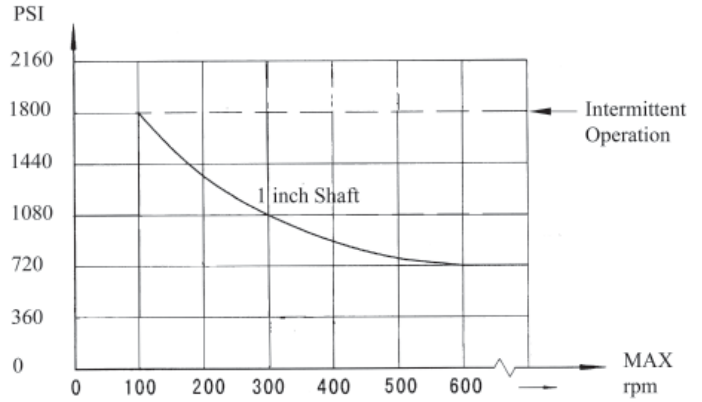
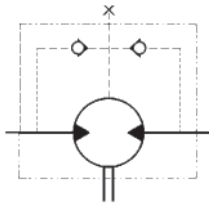
BMRS 250		252 Cm³/Rev 15.38 in³/Rev					Max Cont.	Max Int.		
Pressure Mpa (psi)		3 (442)	5 (376)	7 (1030)	9 (1352)	10.5 (1546)	12 (1766)	14 (2060)	17.5 (2576)	
F L O W	LPM (GPM)	Torque Mn (in.Lbs) Speed Specification								
	10 (2.65)	115 (1018) 40 rpm	180 (1593) 38 rpm	251 (2221) 37 rpm	295 (2611) 35 rpm	350 (3098) 32 rpm	380 (3363) 30 rpm	470 (4160) 22 rpm	535 (4735) 16 rpm	
	20 (5.25)	110 (974) 79 rpm	178 (1575) 78 rpm	252 (2230) 75 rpm	294 (2602) 74 rpm	352 (3115) 70 rpm	385 (3407) 68 rpm	470 (4160) 57 rpm	548 (4850) 48 rpm	
	30 (7.90)	100 (885) 120 rpm	170 (1505) 119 rpm	248 (2195) 117 rpm	285 (2522) 116 rpm	348 (3080) 110 rpm	381 (3372) 107 rpm	469 (4151) 95 rpm	545 (4823) 79 rpm	
	40 (10.50)	91 (805) 158 rpm	159 (1407) 157 rpm	232 (2053) 156 rpm	268 (2372) 154 rpm	332 (2938) 151 rpm	366 (3239) 148 rpm	460 (4071) 130 rpm	530 (4691) 110 rpm	
	50 (13.15)	81 (717) 200 rpm	148 (1310) 198 rpm	216 (1912) 196 rpm	252 (2230) 195 rpm	320 (2832) 163 rpm	352 (3115) 160 rpm	453 (4009) 152 rpm	521 (4611) 147 rpm	
	60 (15.80)	75 (664) 241 rpm	132 (1168) 240 rpm	201 (1769) 239 rpm	235 (2080) 237 rpm	305 (2699) 232 rpm	340 (3009) 228 rpm	433 (3832) 210 rpm	505 (4469) 180 rpm	
	70 (18.40)	50 (443) 280 rpm	117 (1035) 279 rpm	189 (1673) 277 rpm	220 (1947) 276 rpm	290 (2567) 271 rpm	320 (2832) 268 rpm	412 (3646) 250 rpm	495 (4381) 215 rpm	
	Max Cont.	75 (19.75)	42 (372) 300 rpm	105 (929) 299 rpm	180 (1593) 298 rpm	211 (1867) 297 rpm	281 (2487) 295 rpm	310 (2744) 289 rpm	405 (3584) 272 rpm	486 (4301) 239 rpm
	Max Int.									

BMRS 315		314.5 Cm³/Rev 19.2 in³/Rev					Max Cont.	Max Int.	
Pressure Mpa (psi)		3 (442)	5 (376)	6.5 (957)	8 (1175)	9 (1325)	13 (1914)	13.5 (1987)	
F L O W	LPM (GPM)	Torque Mn (in.Lbs) Speed Specification							
	10 (2.65)	135 (1195) 31 rpm	215 (1903) 29 rpm	279 (2469) 28 rpm	343 (3036) 27 rpm	383 (3390) 27 rpm	515 (4558) 24 rpm	550 (4868) 22 rpm	
	20 (5.25)	133 (1177) 62 rpm	216 (1912) 61 rpm	289 (2558) 60 rpm	349 (3089) 58 rpm	380 (3363) 57 rpm	508 (4496) 52 rpm	552 (4886) 50 rpm	
	30 (7.90)	125 (1106) 95 rpm	205 (1814) 92 rpm	275 (2434) 91 rpm	341 (3018) 90 rpm	375 (3319) 88 rpm	494 (4372) 81 rpm	543 (4801) 79 rpm	
	40 (10.50)	113 (1000) 123 rpm	195 (1726) 121 rpm	267 (2363) 120 rpm	335 (2965) 118 rpm	367 (3248) 117 rpm	485 (4292) 106 rpm	526 (4655) 104 rpm	
	50 (13.15)	92 (814) 155 rpm	170 (1505) 154 rpm	253 (2239) 152 rpm	321 (2841) 149 rpm	352 (3115) 147 rpm	474 (4195) 137 rpm	511 (4522) 133 rpm	
	60 (15.80)	80 (708) 190 rpm	160 (1416) 187 rpm	231 (2040) 193 rpm	305 (2699) 179 rpm	334 (2956) 176 rpm	458 (4053) 163 rpm	492 (4354) 157 rpm	
	70 (18.40)	57 (504) 222 rpm	136 (1204) 220 rpm	215 (1903) 217 rpm	285 (2522) 212 rpm	320 (2832) 208 rpm	444 (3929) 192 rpm	480 (4248) 185 rpm	
	Max Cont.	75 (19.75)	55 (487) 235 rpm	124 (1097) 234 rpm	205 (1814) 231 rpm	269 (2381) 227 rpm	308 (2726) 225 rpm	427 (3779) 408 rpm	469 (4151) 201 rpm
	Max Int.								

BMRS 375		370 Cm³/Rev 22.6 in³/Rev					Max Cont.	Max Int.	
Pressure Mpa (psi)		3 (442)	5 (376)	6.5 (957)	8 (1175)	9 (1325)	13 (1914)	13.5 (1987)	
F L O W	LPM (GPM)	Torque Mn (in.Lbs) Speed Specification							
	10 (2.65)	160 (1416) 26 rpm	270 (2390) 25 rpm	340 (3009) 24 rpm	420 (3717) 22 rpm	470 (4160) 21 rpm	550 (4868) 19 rpm	610 (5399) 17 rpm	
	20 (5.25)	159 (14070) 53 rpm	260 (2301) 52 rpm	340 (3009) 51 rpm	410 (3629) 49 rpm	470 (4160) 47 rpm	540 (4779) 42 rpm	605 (5354) 37 rpm	
	30 (7.90)	150 (1328) 79 rpm	255 (2257) 78 rpm	330 (2921) 77 rpm	400 (3540) 75 rpm	450 (3983) 73 rpm	530 (4691) 67 rpm	600 (5310) 60 rpm	
	40 (10.50)	135 (1195) 106 rpm	240 (2124) 105 rpm	310 (2744) 104 rpm	375 (3319) 102 rpm	430 (3805) 99 rpm	520 (4602) 93 rpm	590 (5222) 85 rpm	
	50 (13.15)	120 (1062) 134 rpm	230 (2036) 132 rpm	295 (2511) 131 rpm	360 (3186) 129 rpm	420 (3717) 126 rpm	505 (4469) 120 rpm	570 (5045) 110 rpm	
	60 (15.80)	98 (867) 159 rpm	210 (1859) 158 rpm	275 (2434) 157 rpm	340 (3009) 155 rpm	390 (3452) 153 rpm	490 (4337) 147 rpm	550 (4868) 135 rpm	
	70 (18.40)	75 (664) 187 rpm	175 (1549) 186 rpm	250 (2213) 185 rpm	320 (2832) 183 rpm	370 (3275) 180 rpm	465 (4115) 175 rpm	530 (4691) 160 rpm	
	Max Cont.	75 (19.75)	65 (575) 200 rpm	160 (1416) 199 rpm	230 (2036) 198 rpm	310 (2744) 195 rpm	360 (3186) 192 rpm	450 (3983) 187 rpm	515 (4558) 178 rpm
	Max Int.								

MODEL BMRS TECHNICAL DATA

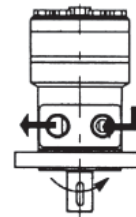
SHAFT SEAL RATED PRESSURE



CASE DRAIN

In applications without a motor drain line, the pressure exerted on the shaft seal is marginally in excess of the return line pressure. When the drain line is used the pressure exerted on the shaft seal is equal to the return line pressure.

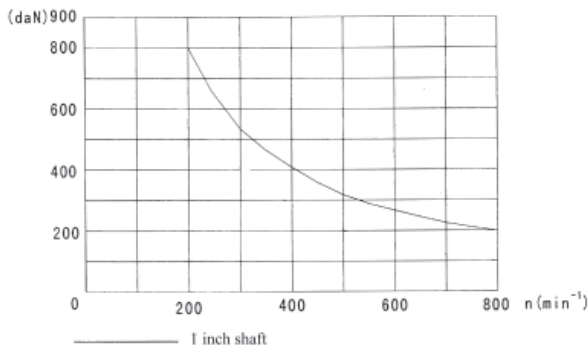
SHAFT ROTATION DIRECTION



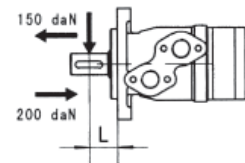
BMRS

RADIAL FORCES

Status of the shaft's radial force



$$F_r = \frac{800 \cdot 2500}{n \cdot 95 + 1} \text{ daN}$$



F_r = Radial Force (daN)
 L = Distance (mm)
 n = Speed (rpm)

Rhomb-flange $L=30\text{mm}$
 Square-flange $L=24\text{mm}$

MOUNT	SHAFT	PORTS	BRAND	DISPLACEMENT FOR DYNAMIC MOTOR Cm ³ /Rev (In ³ /Rev)									
				51.3 (3.13)	80.6 (4.92)	100.8 (6.15)	124.9 (7.62)	157.2 (9.59)	199.2 (12.15)	252 (15.38)	314.5 (19.19)	370 (22.58)	
4 BOLT FLANGE	Woodruff Keyed	1/2" NPT	IHI PRINCE CHAR-LYNN® DANFOSS	BMRS-50-H4-K-P AEM50-4RP 103-1001 151-2421	BMRS-80-H4-K-P AEM75-4RP 103-1002 151-2422	BMRS-100-H4-K-P AEM100-4RP 103-1003 151-2423	BMRS-125-H4-K-P N/A 103-1755 151-2424	BMRS-160-H4-K-P AEM150-4RP 103-1004 151-2425	BMRS-200-H4-K-P AEM200-4RP 103-1005 151-2426	BMRS-250-H4-K-P AEM250-4RP 103-1006 151-2427	BMRS-315-H4-K-P AEM300-4RP 103-1007 151-2428	BMRS-375-H4-K-P ADM400-4RP 103-1008 151-2429	
		#10 SAE	IHI PRINCE CHAR-LYNN® DANFOSS	BMRS-50-H4-K-S ADM50-4RO 103-1009 151-2341	BMRS-80-H4-K-S AEM75-4RO 103-1010 151-2342	BMRS-100-H4-K-S AEM100-4RO 103-1011 151-2343	BMRS-125-H4-K-S N/A 103-1751 151-2344	BMRS-160-H4-K-S AEM150-4RO 103-1012 151-2345	BMRS-200-H4-K-S AEM200-4RO 103-1013 151-2346	BMRS-250-H4-K-S AEM250-4RO 103-1014 151-2347	BMRS-315-H4-K-S AEM300-4RO 103-1015 151-2348	BMRS-375-H4-K-S AEM400-4RO 103-1016 151-2349	
		Manifold	IHI PRINCE CHAR-LYNN® DANFOSS	BMRS-50-H4-K-F AEM50-4RT 103-1017 151-2501	BMRS-80-H4-K-F AEM75-4RT 103-1018 151-2502	BMRS-100-H4-K-F AEM100-4RT 103-1019 151-2503	BMRS-125-H4-K-F N/A 103-1759 151-2504	BMRS-160-H4-K-F AEM150-4RT 103-1020 151-2505	BMRS-200-H4-K-F AEM200-4RT 103-1021 151-2506	BMRS-250-H4-K-F AEM250-4RT 103-1022 151-2507	BMRS-315-H4-K-F AEM300-4RT 103-1023 151-2508	BMRS-375-H4-K-F AEM400-4RT 103-1024 151-2509	
	Splined	1/2" NPT	IHI PRINCE CHAR-LYNN® DANFOSS	BMRS-50-H4-S-P AEM50-4SP 103-1049 151-2431	BMRS-80-H4-S-P AEM75-4SP 103-1050 151-2432	BMRS-100-H4-S-P AEM100-4SP 103-1051 151-2433	BMRS-125-H4-S-P N/A 101-1766 151-2434	BMRS-160-H4-S-P AEM150-4SP 103-1052 151-2435	BMRS-200-H4-S-P AEM200-4SP 103-1053 151-2436	BMRS-250-H4-S-P AEM250-4SP 103-1054 151-2437	BMRS-315-H4-S-P AEM300-4SP 103-1055 151-2438	BMRS-375-H4-S-P AEM400-4SP 103-1056 151-2439	
		#10 SAE	IHI PRINCE CHAR-LYNN® DANFOSS	BMRS-50-H4-S-S AEM50-4SO 103-1057 151-2351	BMRS-80-H4-S-S AEM75-4SO 103-1058 151-2352	BMRS-100-H4-S-S AEM100-4SO 103-1059 151-2353	BMRS-125-H4-S-S N/A 103-1872 151-2354	BMRS-160-H4-S-S AEM150-4SO 103-1060 151-2355	BMRS-200-H4-S-S AEM200-4SO 103-1061 151-2356	BMRS-250-H4-S-S AEM250-4SO 103-1062 151-2357	BMRS-315-H4-S-S AEM300-4SO 103-1063 151-2358	BMRS-375-H4-S-S AEM400-4SO 103-1064 151-2359	
		Manifold	IHI PRINCE CHAR-LYNN® DANFOSS	BMRS-50-H4-S-F AEM50-4ST 103-1065 151-2511	BMRS-80-H4-S-F AEM75-4ST 103-1066 151-2512	BMRS-100-H4-S-F AEM100-4ST 103-1067 151-2513	BMRS-125-H4-S-F N/A 103-1770 151-2514	BMRS-160-H4-S-F AEM150-4ST 103-1068 151-2515	BMRS-200-H4-S-F AEM200-4ST 103-1069 151-2516	BMRS-250-H4-S-F AEM250-4ST 103-1070 151-2517	BMRS-315-H4-S-F AEM300-4ST 103-1071 151-2518	BMRS-375-H4-S-F AEM400-4ST 103-1072 151-2519	
	2 BOLT FLANGE	Woodruff Keyed	1/2" NPT	IHI PRINCE CHAR-LYNN® DANFOSS	BMRS-50-H2-K-P AEM50-2RP 103-1025 151-2381	BMRS-80-H2-K-P AEM75-2RP 103-1026 151-2382	BMRS-100-H2-K-P AEM100-2RP 103-1027 151-2383	BMRS-125-H2-K-P N/A 103-1706 151-2384	BMRS-160-H2-K-P AEM150-2RP 103-1028 151-2385	BMRS-200-H2-K-P AEM200-2RP 103-1029 151-2386	BMRS-250-H2-K-P AEM250-2RP 103-1030 151-2387	BMRS-315-H2-K-P AEM300-2RP 103-1031 151-2388	BMRS-375-H2-K-P AEM400-2RP 103-1032 151-2389
			#10 SAE	IHI PRINCE CHAR-LYNN® DANFOSS	BMRS-50-H2-K-S AEM50-2RO 103-1033 151-2301	BMRS-80-H2-K-S AEM75-2RO 103-1034 151-2302	BMRS-100-H2-K-S AEM100-2RO 103-1035 151-2303	BMRS-125-H2-K-S N/A 103-1702 151-2304	BMRS-160-H2-K-S AEM150-2RO 103-1036 151-2305	BMRS-200-H2-K-S AEM200-2RO 103-1037 151-2306	BMRS-250-H2-K-S AEM250-2RO 103-1038 151-2307	BMRS-315-H2-K-S AEM300-2RO 103-1039 151-2308	BMRS-375-H2-K-S AEM400-2RO 103-1040 151-2309
			Manifold	IHI PRINCE CHAR-LYNN® DANFOSS	BMRS-50-H2-K-F ADM50-4RT 103-1041 151-2461	BMRS-80-H2-K-F AEM75-4RT 103-1042 151-2462	BMRS-100-H2-K-F AEM100-4RT 103-1043 151-2463	BMRS-125-H2-K-F N/A 103-11710 151-2464	BMRS-160-H2-K-F AEM150-4RT 103-1044 151-2465	BMRS-200-H2-K-F AEM200-4RT 103-1045 151-2466	BMRS-250-H2-K-F AEM250-4RT 103-1046 151-2465	BMRS-315-H2-K-F AEM300-4RT 103-1047 151-2466	BMRS-375-H2-K-F AEM400-4RT 103-1048 151-2467
Splined		1/2" NPT	IHI PRINCE CHAR-LYNN® DANFOSS	BMRS-50-H2-S-P AEM50-2SP 103-1073 151-2391	BMRS-80-H2-S-P AEM75-2SP 103-1074 151-2392	BMRS-100-H2-S-P AEM100-2SP 103-1075 151-2393	BMRS-125-H2-S-P N/A 103-1727 151-2394	BMRS-160-H2-S-P AEM150-2SP 103-1076 151-2395	BMRS-200-H2-S-P AEM200-2SP 103-1077 151-2396	BMRS-250-H2-S-P AEM250-2SP 103-1078 151-2397	BMRS-315-H2-S-P AEM300-2SP 103-1079 151-2398	BMRS-375-H2-S-P AEM400-2SP 103-1080 151-2399	
		#10 SAE	IHI PRINCE CHAR-LYNN® DANFOSS	BMRS-50-H2-S-S ADM50-2SO 103-1081 151-2311	BMRS-80-H2-S-S AEM75-2SO 103-1082 151-2312	BMRS-100-H2-S-S AEM100-2SO 103-1083 151-2313	BMRS-125-H2-S-S N/A 103-1723 151-2314	BMRS-160-H2-S-S AEM150-2SO 103-1084 151-2315	BMRS-200-H2-S-S AEM200-2SO 103-1085 151-2316	BMRS-250-H2-S-S AEM250-2SO 103-1086 151-2317	BMRS-315-H2-S-S AEM300-2SO 103-1087 151-2318	BMRS-375-H2-S-S AEM400-2SO 103-1088 151-2319	
		Manifold	IHI PRINCE CHAR-LYNN® DANFOSS	BMRS-50-H2-S-F ADM50-2ST 103-1089 151-2471	BMRS-80-H2-S-F AEM75-2ST 103-1090 151-2472	BMRS-100-H2-S-F AEM100-2ST 103-1091 151-2473	BMRS-125-H2-S-F N/A 103-1731 151-2474	BMRS-160-H2-S-F AEM150-2ST 103-1092 151-2475	BMRS-200-H2-S-F AEM200-2ST 103-1093 151-2476	BMRS-250-H2-S-F AEM250-2ST 103-1094 151-2477	BMRS-300-H2-S-F AEM300-2ST 103-1095 151-2478	BMRS-375-H2-S-F AEM400-2ST 103-1096 151-2479	

Note: The cross reference information in this chart is to be used only as a reference for guideline purposes only. After selecting a model from above, review motor specifications to determine compatibility with specific application.

Char-Lynn® is a registered trademark of the Eaton Corporation.