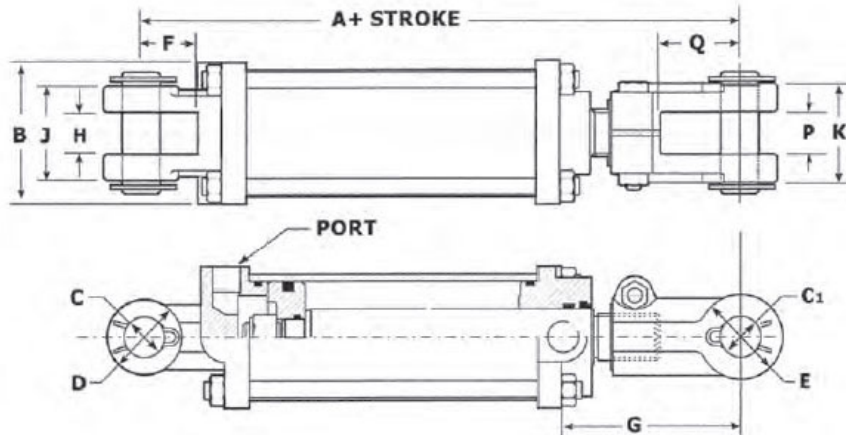


Tie Rod Hydraulic Cylinders – 3.5” Bore

(<https://internationalhydraulicsus.com>)



None-ASAE Cylinders

Bore	A	B	C	D	E	F	G	H	J	K	P	Q	Port	Tie Rod	Rod Thread
2	10 1/4"	2 3/4"	1 1/64"	2.0"	2.0	2 1/16	4 3/16	1 1/8	2 1/2	2 1/2	1 1/8	2 1/8	3/8" NPTF	3/8"	1 1/8-12UNF
2.5"	10 1/4"	3 1/8"	1 1/64"	2.0"	2.0	2 1/16	4 3/16	1 1/8	2 1/2	2 1/2	1 1/8	2 1/8	3/8" NPTF	3/8"	1 1/8-12UNF
3"	10 1/4"	3 3/4"	1 1/64"	2.0"	2.0	2 1/16	3 15/16	1 1/8	2 5/8	2 5/8	1 1/8	2 1/8	1/2" NPTF	1/2"	1 1/4-12UNF
3.5"	10 1/4"	4 1/2"	1 1/64"	2.0"	2 1/4	2 1/16	3 15/16	1 1/8	2 5/8	2 5/8	1 1/8	2 1/8	1/2" NPTF	5/8"	1 1/4-12UNF
4"	10 1/4"	5 1/8"	1 1/64"	2 1/4"	2 1/4	2 1/16	3 7/8	1 1/8	2 5/8	2 5/8	1 1/8	2 1/8	1/2" NPTF	5/8"	1 1/4-12UNF
4.5"	10 1/4"	5 1/4"	1 1/64"	2 1/4"	2 5/8	2 1/16	3 7/8	1 1/4	3 1/2	3 1/2	1 1/4	2 1/8	1/2" NPTF	5/8"	1 1/4-12UNF
5"	12 1/4"	6.0"	1 1/64"	2 7/8"	2 5/8	2 1/4	4 11/16	1 1/4	3 1/2	3 1/2	1 1/4	2 1/8	1/2" NPTF	3/4"	1 1/4-12UNF

3-1/2" BORE SIZE, NON-ASAE CYLINDERS

MODEL NO.	BORE SIZE	STROKE	ROD	PIN TO PIN RETRACTED	DIMENSION EXTENDED	COLUMN LOAD	ESTIMATE SHIP WT. LBS
ITR-3504	3.5"	4"	1-1/4"	14-1/4"	18 1/4"	FULL PSI	26.8
ITR-3506	3.5"	6"	1-1/4"	16-1/4"	22 1/4"	FULL PSI	29.7
ITR-3508	3.5"	8"	1-1/4"	18-1/4"	26 1/4"	FULL PSI	32.6
ITR-3510	3.5"	10"	1-1/4"	20-1/4"	30 1/4"	FULL PSI	35.5
ITR-3512	3.5"	12"	1-1/4"	22-1/4"	34 1/4"	FULL PSI	38.4
ITR-3514	3.5"	14"	1-1/4"	24-1/4"	38 1/4"	FULL PSI	41.3
ITR-3516	3.5"	16"	1-1/4"	26-1/4"	42 1/4"	FULL PSI	44.2
ITR-3518	3.5"	18"	1-1/4"	28-1/4"	46 1/4"	FULL PSI	47.1
ITR-3520	3.5"	20"	1-1/4"	30-1/4"	50 1/4"	FULL PSI	50.0