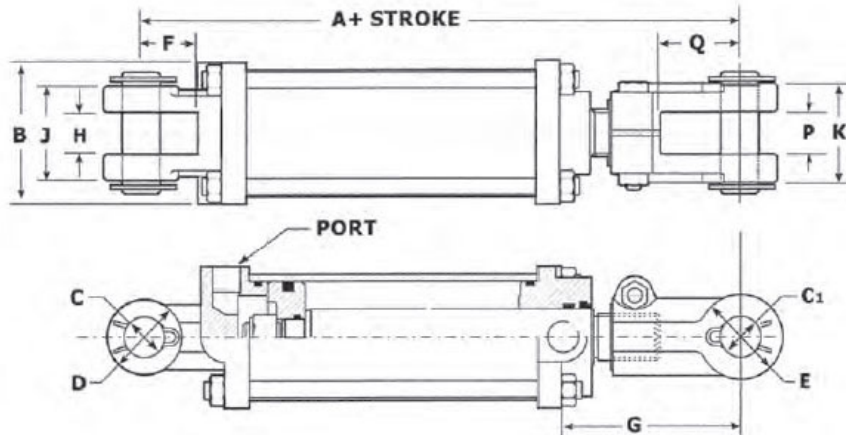


Tie Rod Hydraulic Cylinders – 4.0” Bore

(<https://internationalhydraulicsus.com>)



None-ASAE Cylinders

Bore	A	B	C	D	E	F	G	H	J	K	P	Q	Port	Tie Rod	Rod Thread
2	10 1/4"	2 3/4"	1 1/64"	2.0"	2.0	2 1/16	4 3/16	1 1/8	2 1/2	2 1/2	1 1/8	2 1/8	3/8" NPTF	3/8"	1 1/8-12UNF
2.5"	10 1/4"	3 1/8"	1 1/64"	2.0"	2.0	2 1/16	4 3/16	1 1/8	2 1/2	2 1/2	1 1/8	2 1/8	3/8" NPTF	3/8"	1 1/8-12UNF
3"	10 1/4"	3 3/4"	1 1/64"	2.0"	2.0	2 1/16	3 15/16	1 1/8	2 5/8	2 5/8	1 1/8	2 1/8	1/2" NPTF	1/2"	1 1/4-12UNF
3.5"	10 1/4"	4 1/2"	1 1/64"	2.0"	2 1/4	2 1/16	3 15/16	1 1/8	2 5/8	2 5/8	1 1/8	2 1/8	1/2" NPTF	5/8"	1 1/4-12UNF
4"	10 1/4"	5 1/8"	1 1/64"	2 1/4"	2 1/4	2 1/16	3 7/8	1 1/8	2 5/8	2 5/8	1 1/8	2 1/8	1/2" NPTF	5/8"	1 1/4-12UNF
4.5"	10 1/4"	5 1/4"	1 1/64"	2 1/4"	2 5/8	2 1/16	3 7/8	1 1/4	3 1/2	3 1/2	1 1/4	2 1/8	1/2" NPTF	5/8"	1 1/4-12UNF
5"	12 1/4"	6.0"	1 1/64"	2 7/8"	2 5/8	2 1/4	4 11/16	1 1/4	3 1/2	3 1/2	1 1/4	2 1/8	1/2" NPTF	3/4"	1 1/4-12UNF

4" BORE SIZE, NON-ASAE CYLINDERS

MODEL NO.	BORE SIZE	STROKE	ROD	PIN TO PIN RETRACTED	DIMENSION EXTENDED	COLUMN LOAD	ESTIMATE SHIP WT. LBS
ITR-4004	4"	4"	1-1/4"	14-1/4"	18-1/4"	FULL PSI	29.4
ITR-4006	4"	6"	1-1/4"	16-1/4"	22-1/4"	FULL PSI	33.0
ITR-4008	4"	8"	1-1/4"	18-1/4"	26-1/4"	FULL PSI	36.6
ITR-4010	4"	10"	1-1/4"	20-1/4"	30-1/4"	FULL PSI	40.2
ITR-4012	4"	12"	1-1/4"	22-1/4"	34-1/4"	FULL PSI	43.8
ITR-4014	4"	14"	1-1/4"	24-1/4"	38-1/4"	FULL PSI	47.4
ITR-4016	4"	16"	1-1/4"	26-1/4"	42-1/4"	FULL PSI	51.0
ITR-4018	4"	18"	1-1/2"	28-1/4"	46-1/4"	FULL PSI	54.6
ITR-4020	4"	20"	1-1/2"	30-1/4"	50-1/4"	FULL PSI	58.2