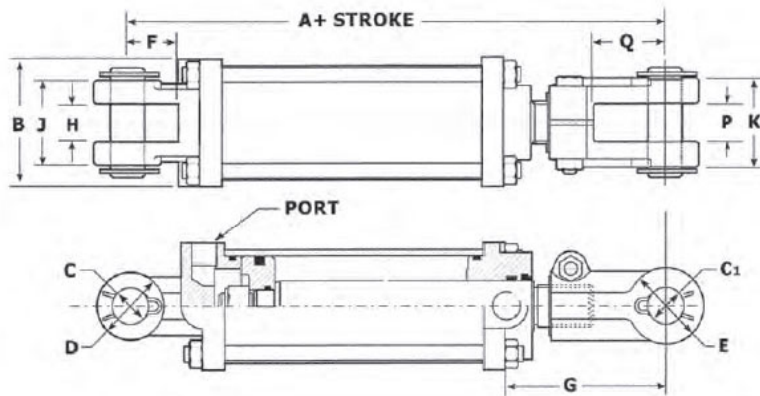


Tie Rod Hydraulic Cylinders – ASAE Cylinders

(<https://internationalhydraulicsus.com>)



ASAE Cylinders (The dimensions listed below are different from Non-ASAE Cylinders)

Bore	A (ASAE-8)	A (ASAE-16)	C (ASAE-8)	C (ASAE-16)	G (ASAE-8)	G (ASAE-16)
2	12 1/4"	15 1/2"	1 1/64"	1 17/64"	6 3/16"	9 7/16"
2.5"	12 1/4"	15 1/2"	1 1/64"	1 17/64"	6 3/16"	9 7/16"
3"	12 1/4"	15 1/2"	1 1/64"	1 17/64"	5 15/16"	9 3/16"
3.5"	12 1/4"	15 1/2"	1 1/64"	1 17/64"	5 15/16"	9 3/16"
4"	12 1/4"	15 1/2"	1 1/64"	1 17/64"	5 7/8"	9 1/8"
4.5"	12 1/4"	15 1/2"	1 1/64"	1 17/64"	5 5/8"	8 7/8"
5"	12 1/4"	15 1/2"	1 1/64"	1 17/64"	4 11/16"	7 15/16"

ASAE STANDARD CYLINDERS

MODEL NO.	BORE SIZE	STROKE	ROD	PIN TO PIN RETRACTED	DIMENSION EXTENDED	COLUMN LOAD	ESTIMATE SHIP WT. LBS
ITR-2008A	2.0	8"	1 1/8"	20 1/4"	28 1/4"	FULL PSI	19.1
ITR-2508A	2.5	8"	1 1/8"	20 1/4"	28 1/4"	FULL PSI	22.5
ITR-3008A	3.0	8"	1 1/4"	20 1/4"	28 1/4"	FULL PSI	24.5
ITR-3016A	3.0	16"	1 3/8"	31 1/2"	47 1/2"	FULL PSI	28.7
ITR-3508A	3.5	8"	1 1/4"	20 1/4"	28 1/4"	FULL PSI	38.0
ITR-3516A	3.5	16"	1 1/2"	31 1/2"	47 1/2"	FULL PSI	48.1
ITR-4008A	4.0	8"	1 1/2"	20 1/4"	28 1/4"	FULL PSI	38.0
ITR-4016A	4.0	16"	1 3/4"	31 1/2"	47 1/2"	FULL PSI	55.2